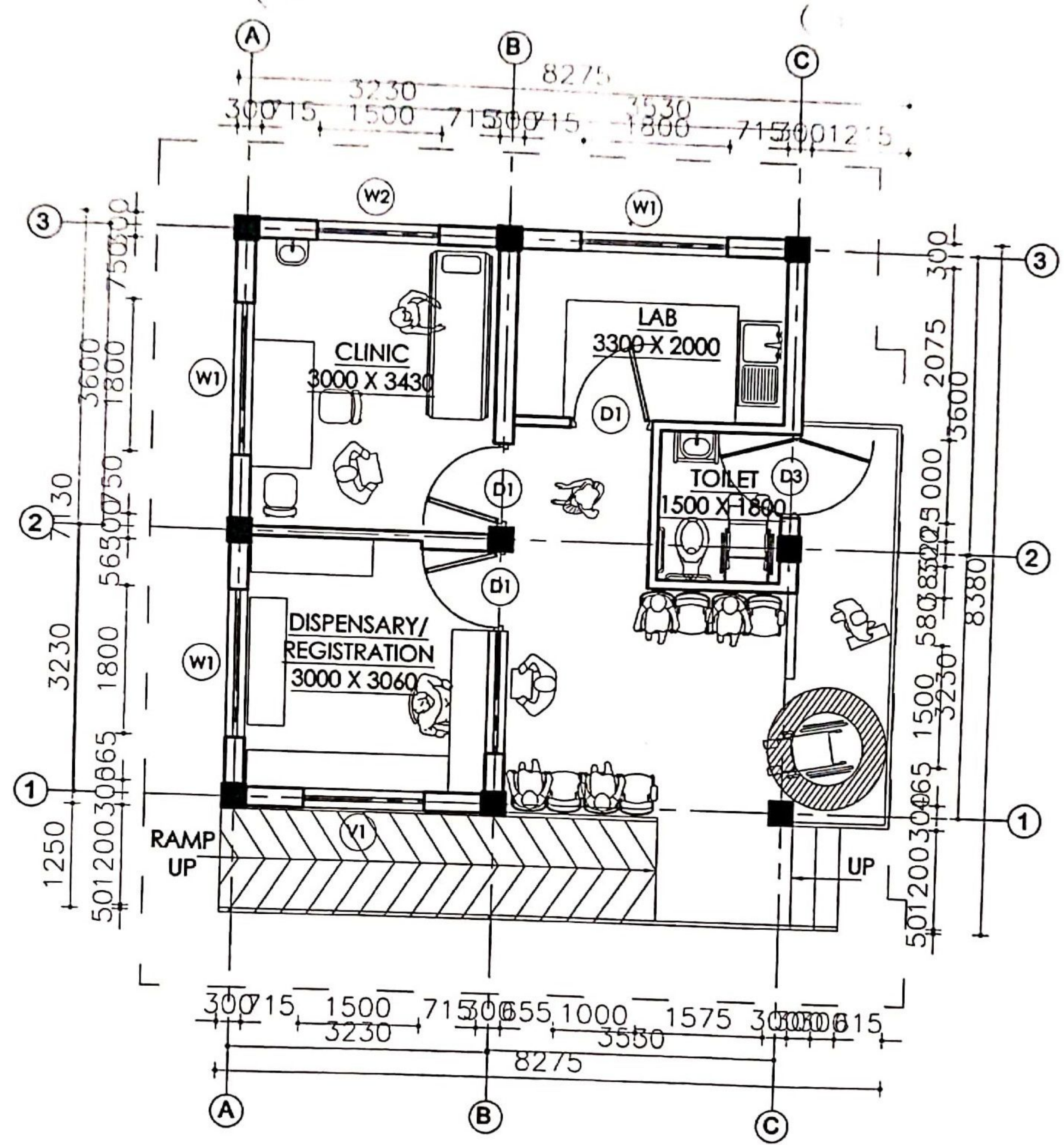


*Handwritten signature*

*Handwritten signature*

सचिवालय

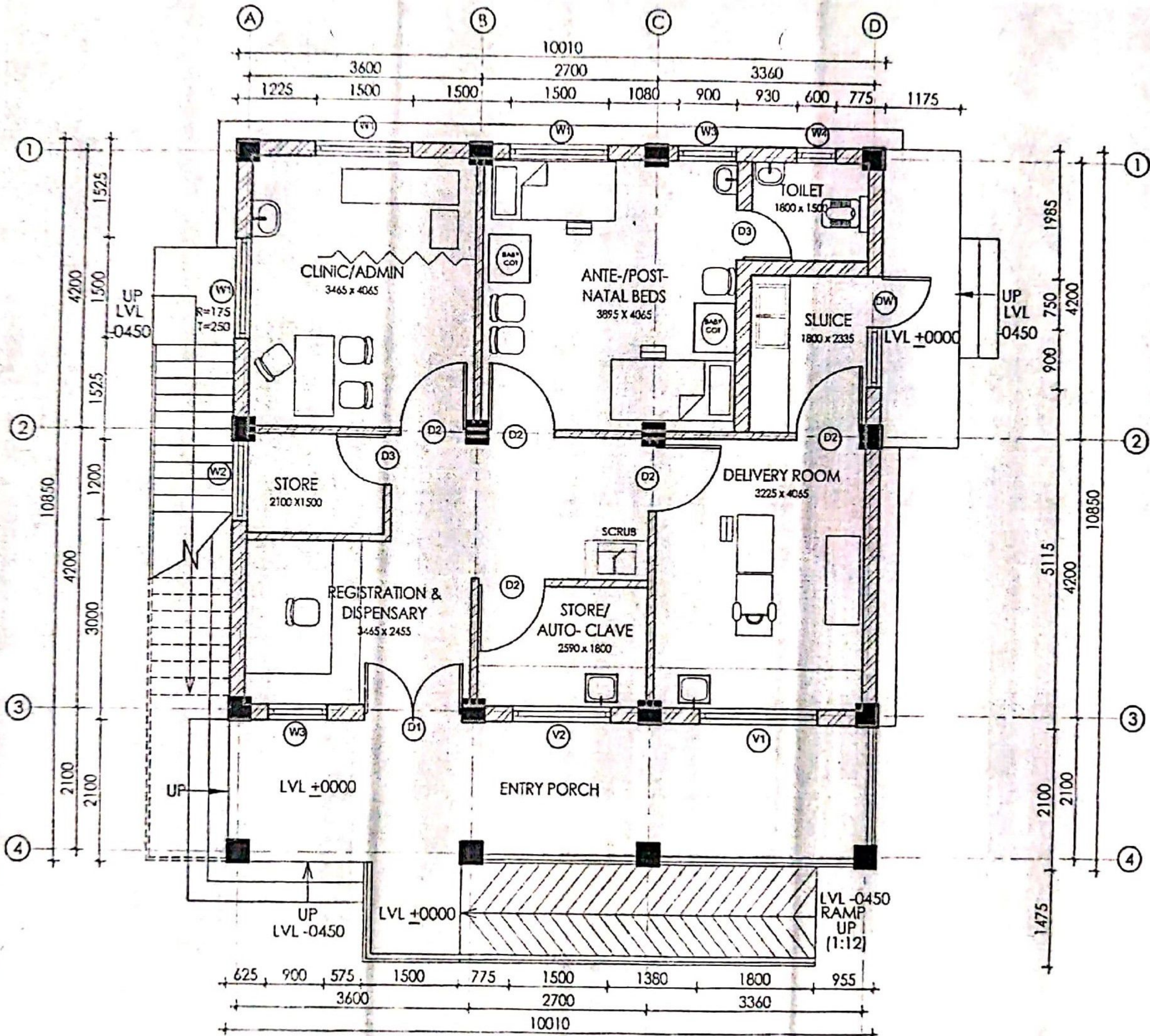
*Handwritten initials*



**GROUND FLOOR PLAN**

Area: 65.88 Sq. M.

**Ward level health care center Type 2**



**GROUND FLOOR PLAN**

Area: 107.57 Sq. M.

Type - One (1)

*Handwritten signature*

*Handwritten signature*  
 10/12/2011